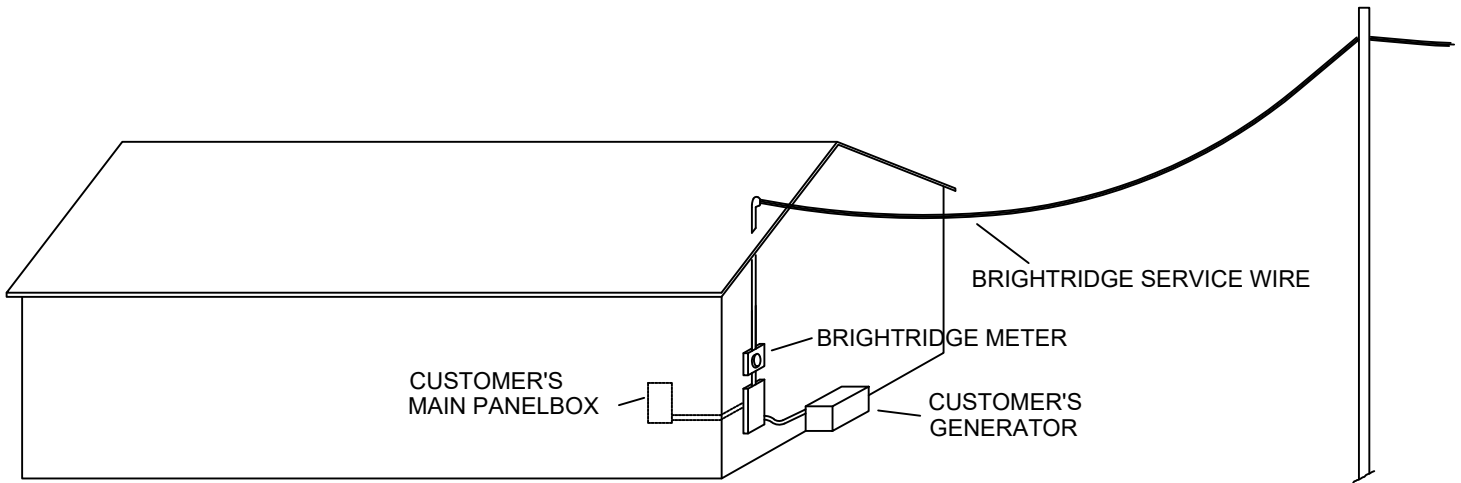


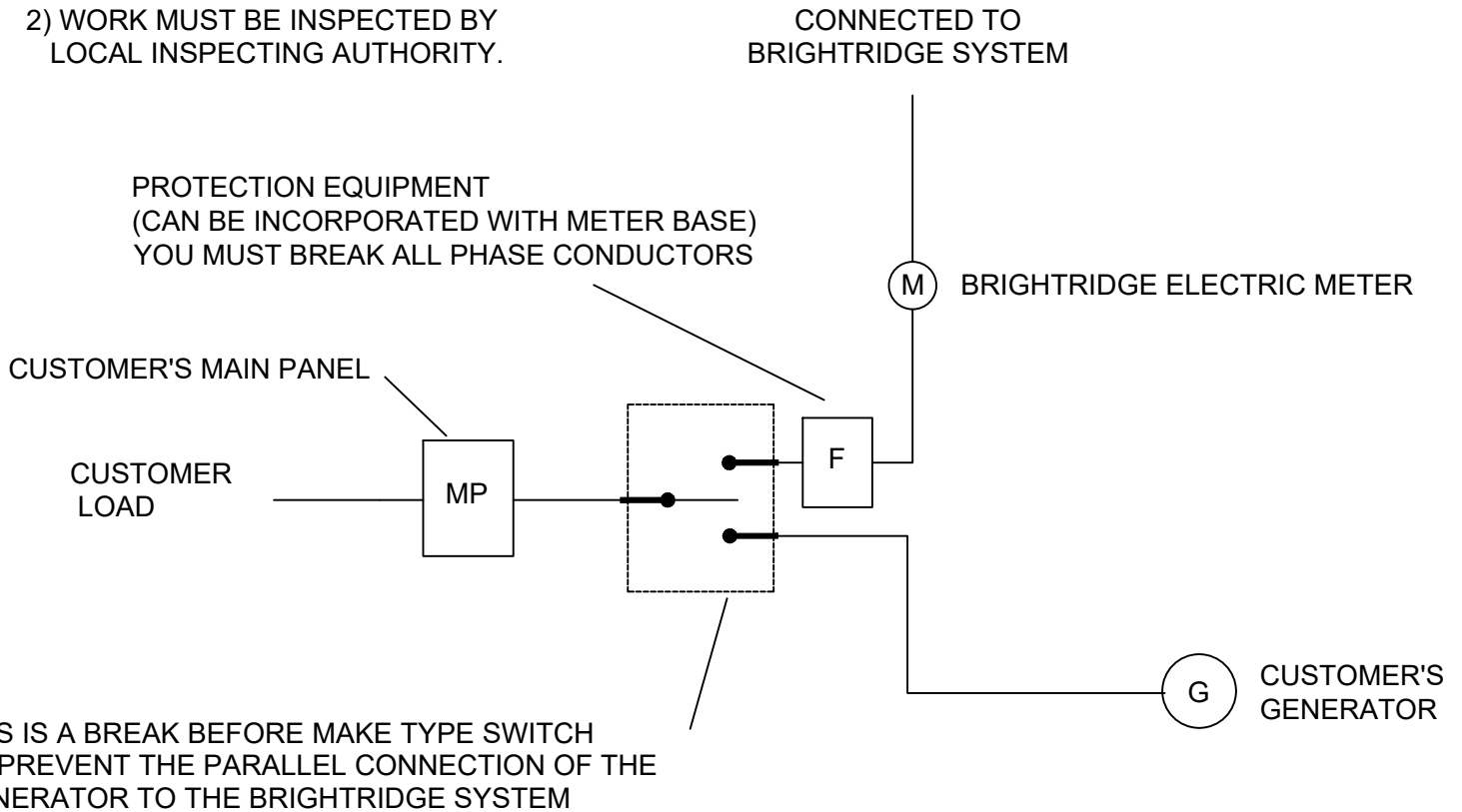


DIAGRAM FOR GENERATOR CONNECTION



NOTES:

- 1) CONNECTION MUST BE MADE BY QUALIFIED ELECTRICIAN.
- 2) WORK MUST BE INSPECTED BY LOCAL INSPECTING AUTHORITY.



THIS IS A BREAK BEFORE MAKE TYPE SWITCH TO PREVENT THE PARALLEL CONNECTION OF THE GENERATOR TO THE BRIGHTRIDGE SYSTEM